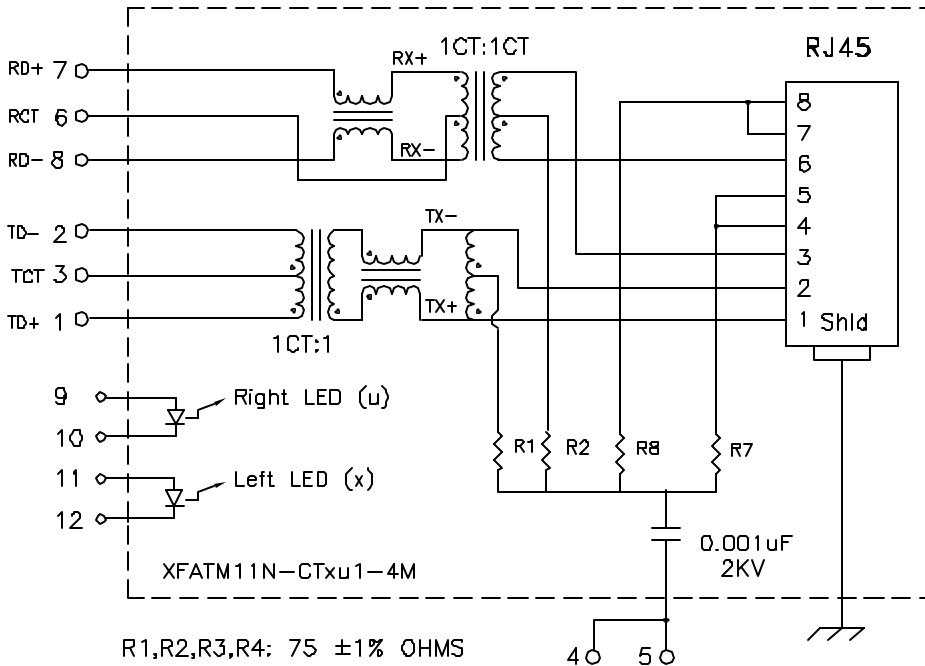


# Schematic:



## Electrical Specifications: @25°C

- UTP Impedance: 100 OHMS
- Turns Ratio: TX : 1CT:1 (±2%)    RX : 1CT:1CT (±2%)
- Isolation Voltage: 1500 VAC (Input to Output)
- UTP Side OCL: 350uH Minimum @100KHz,100mV 8mADC
- Insertion Loss (0.3MHz-100MHz): -1.0dB Maximum
- Return Loss: 1MHz-30MHz    40MHz    50MHz    60MHz-80MHz
- 18dB Typ    -16dB Typ    -14dB Typ    -12dB Typ
- CMRR: 30MHz    60MHz    100MHz
- 35dB Min    -30dB Min    -25dB Min
- Crosstalk: 30MHz    60MHz    100MHz
- 50dB Min    -40dB Min    -35dB Min

Complete the Combo P/N as follows:

Replace 'x' & 'u' in the part number with one of the LED color letters:

Y=Yellow	'x' = Left LED Color
G=Green	'u' = Right LED Color
A=Amber	
R=Red	

C=Green(1)/Amber(2) Bicolor  
D=Amber(1)/Green(2) Bicolor  
W=Green(1)/Yellow(2) Bicolor  
N=Yellow(1)/Green(2) Bicolor  
P=Red(1)/Green(2) Bicolor  
Q=Green(1)/Red(2) Bicolor  
E=Red(1)/Yellow(2) Bicolor  
F=Yellow(1)/Red(2) Bicolor  
H=Amber(1)/Yellow(2) Bicolor  
J=Green(1)/Green(2) Bicolor

Single Color LED:      Bi-Color LED:

### Notes:

1. Solderability: Leads shall meet MIL-STD-202G, Method 208H for solderability.
2. Flammability: UL94V-0
3. ASTM oxygen Index: > 28%
4. Insulation System: Class F 155°C. UL file E151556
5. Operating Temperature Range: All listed parameters are to be within tolerance from -40°C to +85°C
6. Storage Temperature Range: -55°C to +125°C
7. Aqueous wash compatible
8. Electrical and mechanical specifications 100% tested
9. RoHS Compliant Component

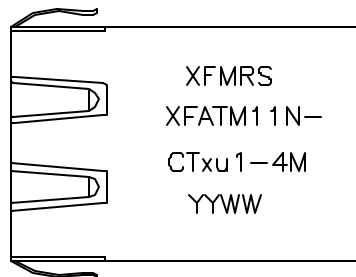
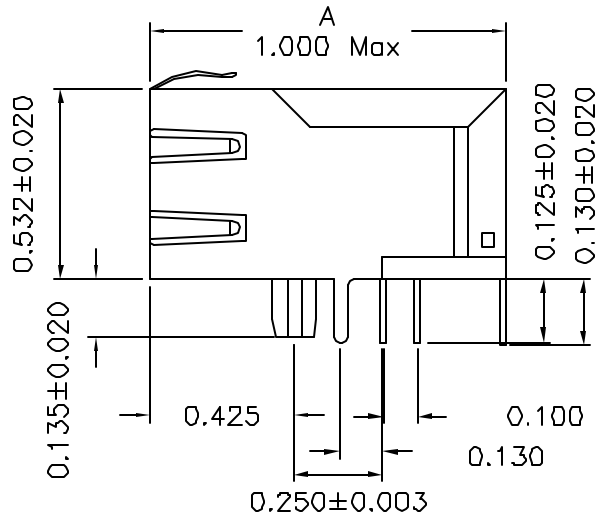
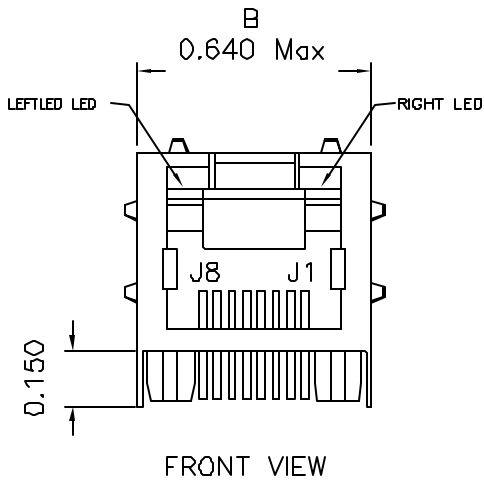
DOC. REV: A/5

**PROPRIETARY:**

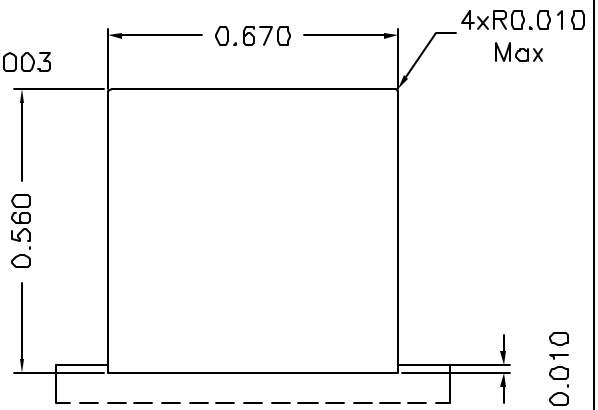
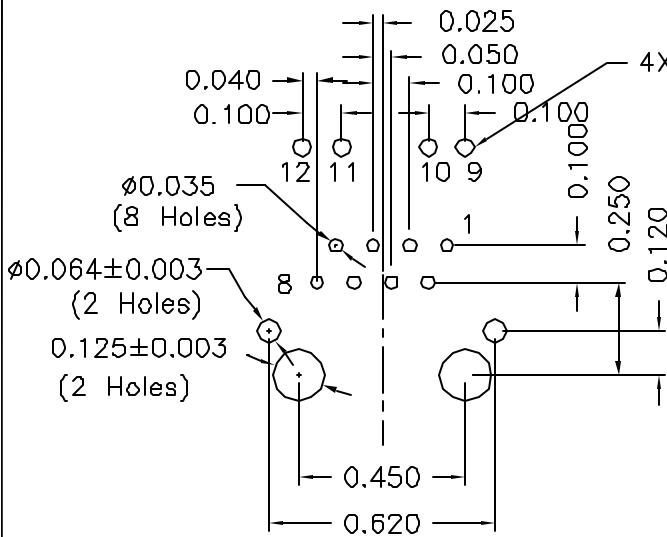
Document is the property of XFMRS Group & is not allowed to be duplicated without authorization.

<b>XFMRS Inc.</b> www.XFMRS.com		Title: <b>SINGLE PORT TAB UP COMBO</b>		
		P/N: XFATM11N-CTxu1-4M		REV. A
UNLESS OTHERWISE SPECIFIED TOLERANCES:		DWN.	Kang Chen	Mar-05-08
.xxx ±0.010		CHK.	YK Liao	Mar-05-08
Dimensions in Inch		APP.	BW	Mar-05-08
SHEET 1 OF 2				

### Mechanical Dimensions:



### Mounting Pattern:



FACE VIEW  
 RECOMMENDED PANEL CUTOUT

DOC. REV A/5

<b>XFMR5 Inc.</b> <a href="http://www.XFMR5.com">www.XFMR5.com</a>	Title: Mechanical Dimensions For TAB UB RJ45 COMBO		
	UNLESS OTHERWISE SPECIFIED TOLERANCES: .xxx $\pm 0.010$ Dimensions in Inch	P/N: XFATM11N-CTxu1-4M	REV. A
SHEET 2 OF 2	APP.	YK Liao	Mar-05-08
BW	Mar-05-08		

**PROPRIETARY:**

Document is the property of XFMR5 Group & is not allowed to be duplicated without authorization.